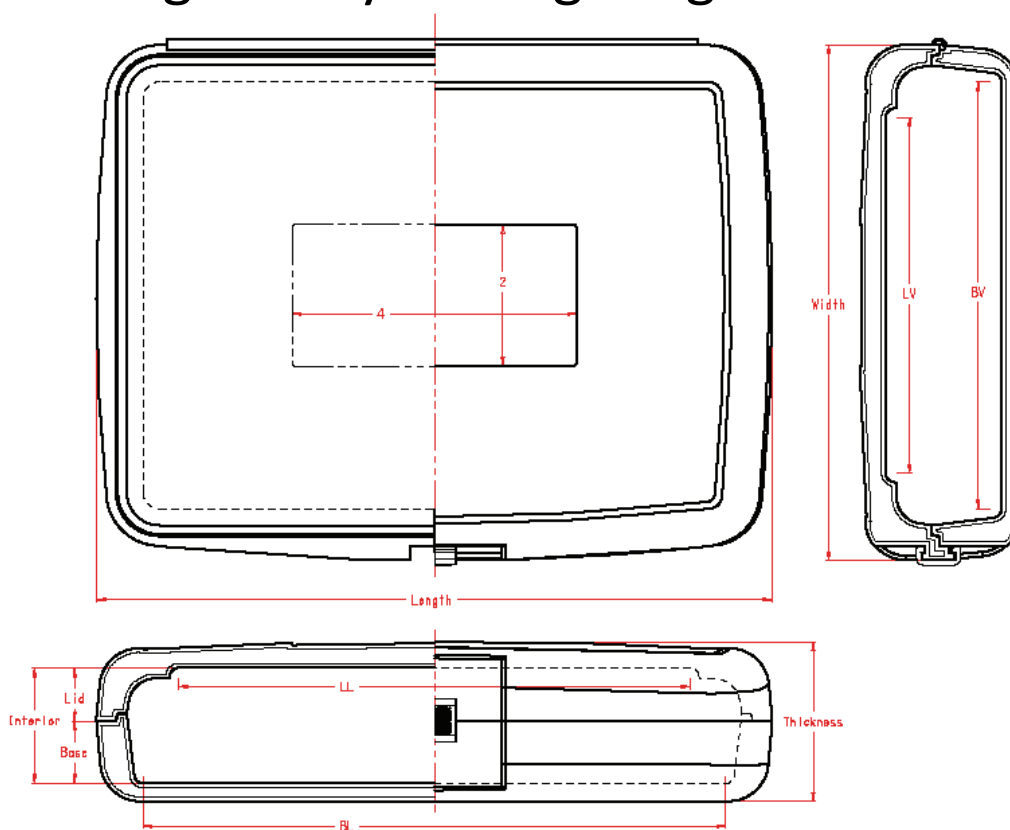


# Light Duty - Living Hinge Cases



## Standard Features:

- All sizes feature Sliding Style Latches.
- Soft edge modern design with blended materials to give a “soft” feel.
- Cases incorporate a living hinge to allow 180° opening.
- 180° opening and non protruding slide latch permit easy blister packaging. Lid and base exterior thicknesses are equal allowing flat packing.
- All cases are double wall interior in both the lid and base portion of the case. Interiors are rectangular for ease in fitting foam inserts.
- All sizes incorporate a molded in label recess sized for standard commercially available labels.

## Optional Features:

- PFC style flexible latches will be offered as an optional item.
- Stock case interiors can be replaced with custom tooled interiors as with all other PFC cases.
- Label recess can be replaced with custom tooled logo plates.

## Stock Sizes and Dimensions

P/N	Exterior Size	Interior Size	Interior Depth	
			Lid	Base
055-038-018-700	5½" x 3¾" x 1¾"	4 7/16" x 2 5/8"	½"	5/8"
075-050-022-700	7½" x 5" x 2½"	6 ¼" x 4"	¾"	13/16"
095-073-023-700	9½" x 7¼" x 2¼"	8 3/16" x 6"	¾"	7/8"
115-089-025-700	11½" x 8 7/8" x 2½"	10 1/8" x 7 5/8"	7/8"	1"
135-108-028-700	13½" x 10 7/8" x 2¾"	11 15/16" x 8 15/16"	1"	1 1/8"